

# HWD-15

## HARDWOOD FLOOR UNDERLAYMENT

In the battle against interior moisture damage, the best defense is a strong offense. When you reduce moisture vapor rising from beneath moisture-sensitive wood flooring, you help increase the useful life and protect the appearance of finished

floors. To help win the battle, the Fortifiber Building Systems Group® offers HWD-15 as economical insurance to reduce most moisture-related flooring problems.

“*HWD-15 helps protect against moisture vapor related problems such as buckling, cupping or cracking.*”

HWD-15 hardwood floor underlayment is an economical and extremely effective Class III moisture vapor retarder specifically designed for optimum performance in wood flooring applications. Consisting of a single layer of kraft paper saturated with asphalt, HWD-15 is a permeable vapor retarder. It reduces vapor flow, without trapping moisture.

### Clean and Easy Handling

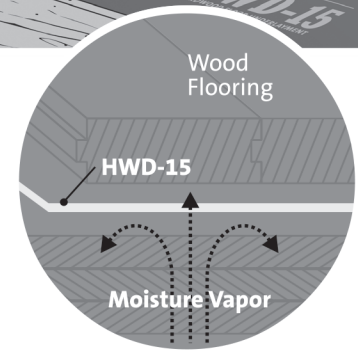
HWD-15 passes the stringent requirements of California's Section 01350 Indoor Air Quality emissions standard. With little or no asphalt rub-off or odor, HWD-15 is considerably cleaner than other materials, such as roofing felt. It's also lighter and easier to work with. It aids installation by providing a smoother surface for positioning flooring. Because HWD-15 is thinner, edge laps don't get in the way during installation of wood strips. It also acts as a "slip sheet" to minimize dust and reduce noise.

### Ideal for Wood Flooring

With a moisture vapor permeance of 5, HWD-15 is a Class III vapor retarder for wood flooring applications. HWD-15 helps slow moisture vapor originating below the floor system, allowing the wood flooring to acclimate gradually to changes in interior environmental conditions. By reducing the rate of moisture migration, HWD-15 protects against moisture vapor related floor problems such as buckling, cupping or cracking. As a permeable material, HWD-15 will not trap moisture condensation between it and the sub-floor, which can happen with poly films and other vapor retarders.

### Decades of Proven Performance

HWD-15 is a product manufactured by the Fortifiber Building Systems Group. With more than a seventy-five year history of proven performance, technical expertise and practical know-how, the company has become a trusted partner to builders, architects and code officials.



*HWD-15 helps slow moisture vapor originating below the floor system, allowing the wood flooring to acclimate gradually.*

- PASSES CALIFORNIA CA01350 INDOOR AIR QUALITY REQUIREMENTS
- REDUCES MOISTURE RELATED PROBLEMS
- OPTIMUM VAPOR PERMEANCE
- EXCELLENT PRICE-PERFORMANCE
- CLEAN & EASY INSTALLATION
- MEETS IRC AND IBC REQUIREMENTS AS A CLASS III VAPOR RETARDER

**Product Description:** HWD-15 Hardwood Floor Underlayment is a superior building paper used to cover the sub-floor to reduce moisture vapor flow and aid in installation of wood flooring.

**Composition:** HWD-15 is a single ply, asphalt saturated, kraft paper.

**Size & Weight:** HWD-15 is supplied in 36" wide rolls by 144 lineal feet (432 sq. ft.); product weight is approximately 2.5 lbs/100 sq. ft.

**Applicable Standards:** Meets the International Building Code and International Residential Code as a Class III vapor retarder.

Meets CA01350 Indoor Air Quality Emission Requirements.

Exceeds Federal Specification UU-B-790a, Type 1, Grade D, Style 2, water vapor permeable.

American Society for Testing & Materials (ASTM)

- *ASTM D-146 Standard Test Methods for Sampling and Testing Bitumen-Saturated Felts and Woven Fabrics for Roofing and Waterproofing*
- *ASTM D-689 Standard Test Method for Internal Tearing Resistance of Paper*
- *ASTM D-4869 Standard Specification for Asphalt-Saturated Organic Felt Underlayment Used in Steep Slope Roofing*
- *ASTM E-96 - Water Vapor Transmission of Materials*

**Physical Properties:** HWD-15 is continually tested in accordance with ASTM procedures. The values shown in Table 1 are averages obtained in these tests.

**Limitations:** HWD-15 moisture retarder paper is not a waterproof membrane and should not be used in waterproofing assemblies or where a waterproof membrane is specified. Do not use in high moisture or steam areas. Properly prepared sub-floors or job site conditions and proper installation of flooring are the responsibility of the installer. In applications where a Class II vapor retarder or 30/30/30 asphalt laminated paper is specified, use Fortifiber's Aquabar® "B"; in applications where a Class I vapor retarder or 6 mil polyethylene film is specified, use Fortifiber's Moistop Ultra® or FortiFlash® 40 for Floors.

**Installation - General:** Concrete or wood sub-floor must be dry and tested for moisture, flat, structurally sound, and free of protrusions and contaminants. Sweep sub-floors clean of debris to avoid punctures and tears. Cut HWD-15 to length as required for

proper coverage and overlap all seams a minimum of 4 inches. Avoid puncturing HWD-15. **See the HWD-15 installation guide** for complete details available at [fortifiber.com/hwd-15.html](http://fortifiber.com/hwd-15.html)

For best results when installing wood flooring, Fortifiber suggests using a properly trained or certified installer, such as a National Wood Flooring Association Certified Professional.

**Installation - Wood Floors:** For wood flooring, obtain, read and follow the wood flooring manufacturer's instructions, NWFA Installation Guidelines, and local building codes for proper installation of wood flooring over HWD-15 and sub-floor.

For installations **above a crawl space**, make sure the ground has been properly covered by Moistop Ultra®, a Class I vapor retarder meeting ASTM E-1754 with a maximum perm rating of 0.04 or less, and the crawl space is properly cross vented or meets code requirements as a closed crawl space.

**Over concrete** under a floating wood sub-floor system, screed system or floating floor, apply Fortifiber's Moistop Ultra 6 or FortiFlash® 40 for Floors. Under mechanically-attached wood panels, use FortiFlash 40 for Floors as the Class I vapor retarder between concrete and plywood. Then install Aquabar "B" over the plywood followed by the wood flooring.

**Availability:** The Fortifiber Building Systems Group's products are distributed nationwide. For product information and pricing, please call a Fortifiber distributor near you. If you need assistance locating a participating distributor, please call our Customer Service Department at 1-800-773-4777.

**Warranty:** Fortifiber Corporation warrants that HWD-15 is in compliance with its published specifications and is free from defects in materials and workmanship for a period of two years from the date of purchase. This warranty does not apply to loss due to abuse. Material found to be defective will be replaced at no charge by Fortifiber, but in no event shall Fortifiber be liable for any other costs or damages, including any labor costs.

THIS EXPRESS WARRANTY IS GIVEN IN LIEU OF AND EXCLUDES ALL OTHER EXPRESS OR IMPLIED WARRANTIES, INCLUDING BUT NOT LIMITED TO THE IMPLIED WARRANTIES OF MERCHANTABILITY AND FITNESS FOR A PARTICULAR PURPOSE. Fortifiber's sole obligations under this warranty are as set forth herein. In no event shall Fortifiber be liable for any lost revenue or profits, direct, indirect, special, incidental or consequential damages of any kind.

*Table 1- Physical Properties*

**SPECIFICATION SUMMARY:** Provides moisture vapor retarder underlayment beneath wood flooring.

**MOISTURE VAPOR RETARDER:** Fortifiber/HWD-15 single ply, asphalt saturated kraft Grade D paper.

**REFERENCE SPECIFICATION:** Federal Specification UU-B-790a, Type 1, Grade D, Style 2.

CHARACTERISTIC	TEST METHOD	RESULTS	STANDARD
VOC Emissions	CA01350	Pass (Below Detectable Limit)	Pass
Water Vapor Transmission	ASTM E-96 (A)	5 perms	1.0 ≤ 10 perms
Tear Strength	ASTM D-689	>.44 lb.f	>.44 lb.f min.
Liquid Water Transmission	ASTM D-4869	Pass	Pass
Pliability	ASTM D-164	Pass	No Cracking



**Fortifiber Building Systems Group®**  
Protecting Your World from the Elements®



Call 1-800-773-4777 or 1-775-333-6400 for sales and technical assistance. On the Internet visit [fortifiberflooring.com](http://fortifiberflooring.com).

© 2024 Fortifiber Building Systems Group. Aquabar® "B", Fortifiber®, FortiFlash®, HWD-15®, Moistop Ultra®, Orange Label Sisakraft® and Protecting Your World from the Elements® are trademarks of Fortifiber Corporation. 07/24